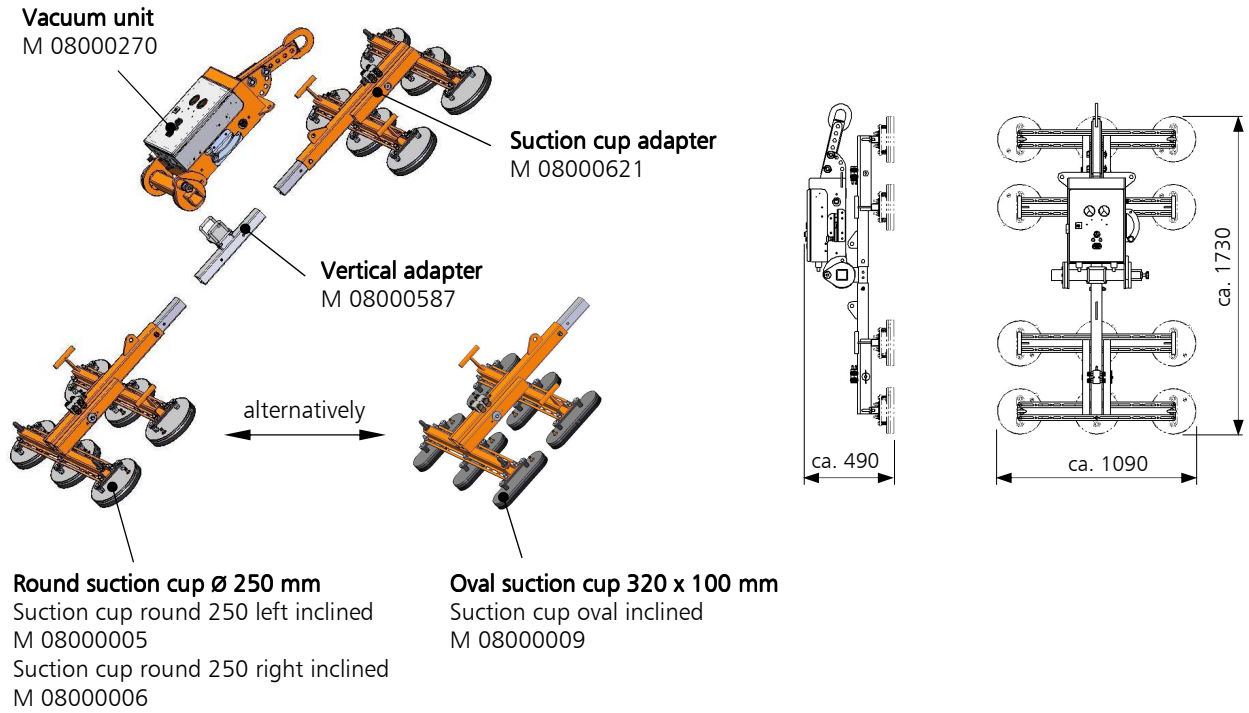
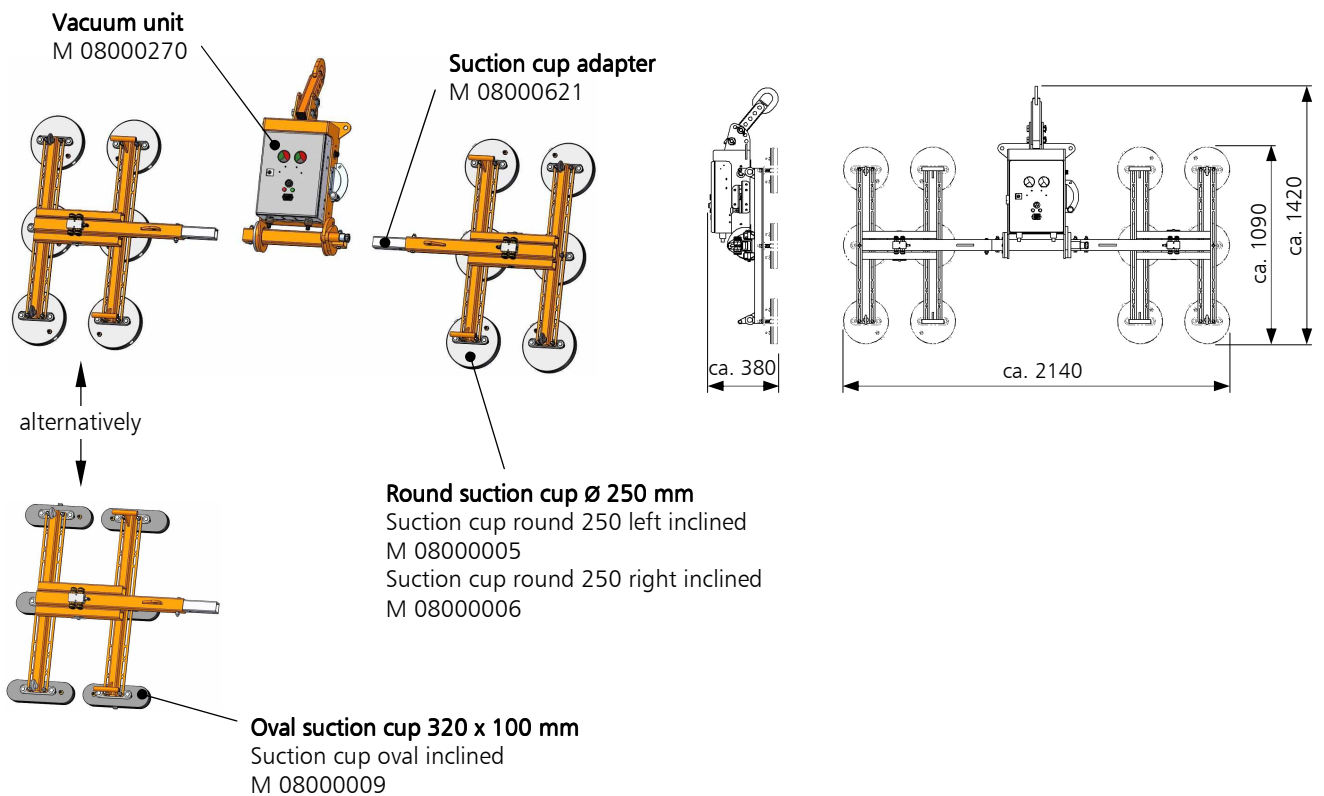


Versions of the OKTOPUS® KS-B

Wall installation vertical (cladding vertical)

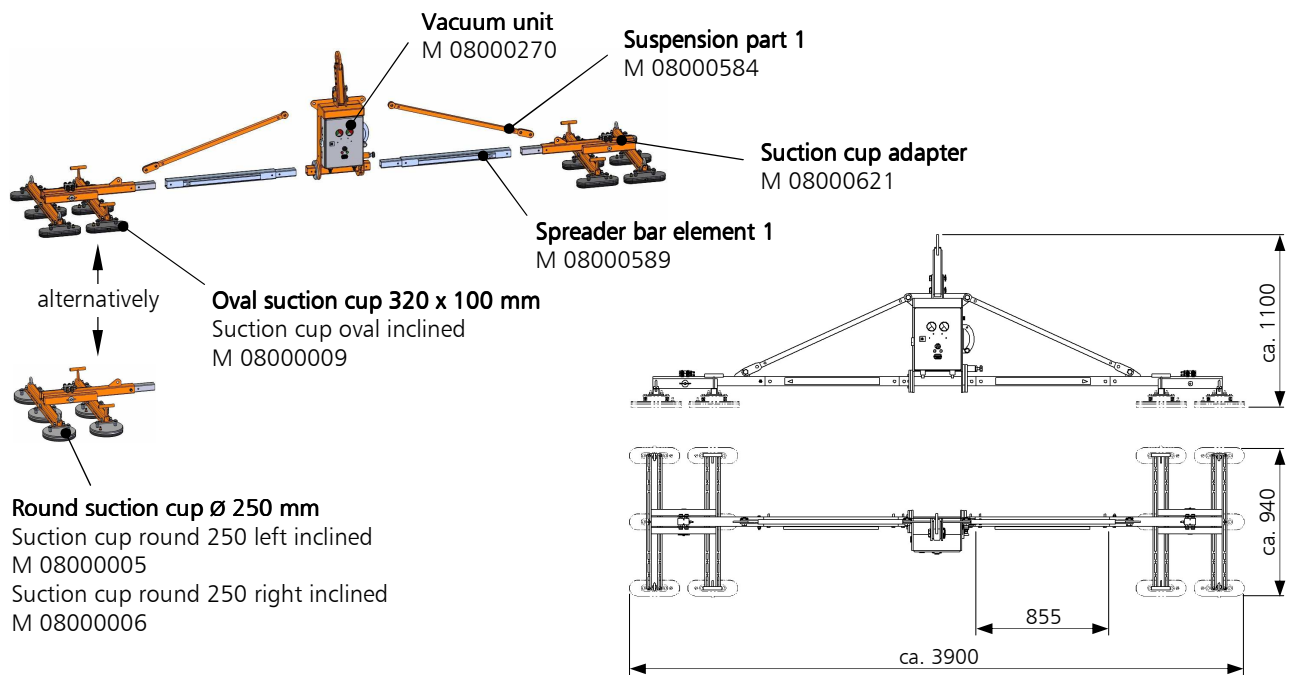


Wall installation horizontal (cladding horizontal)

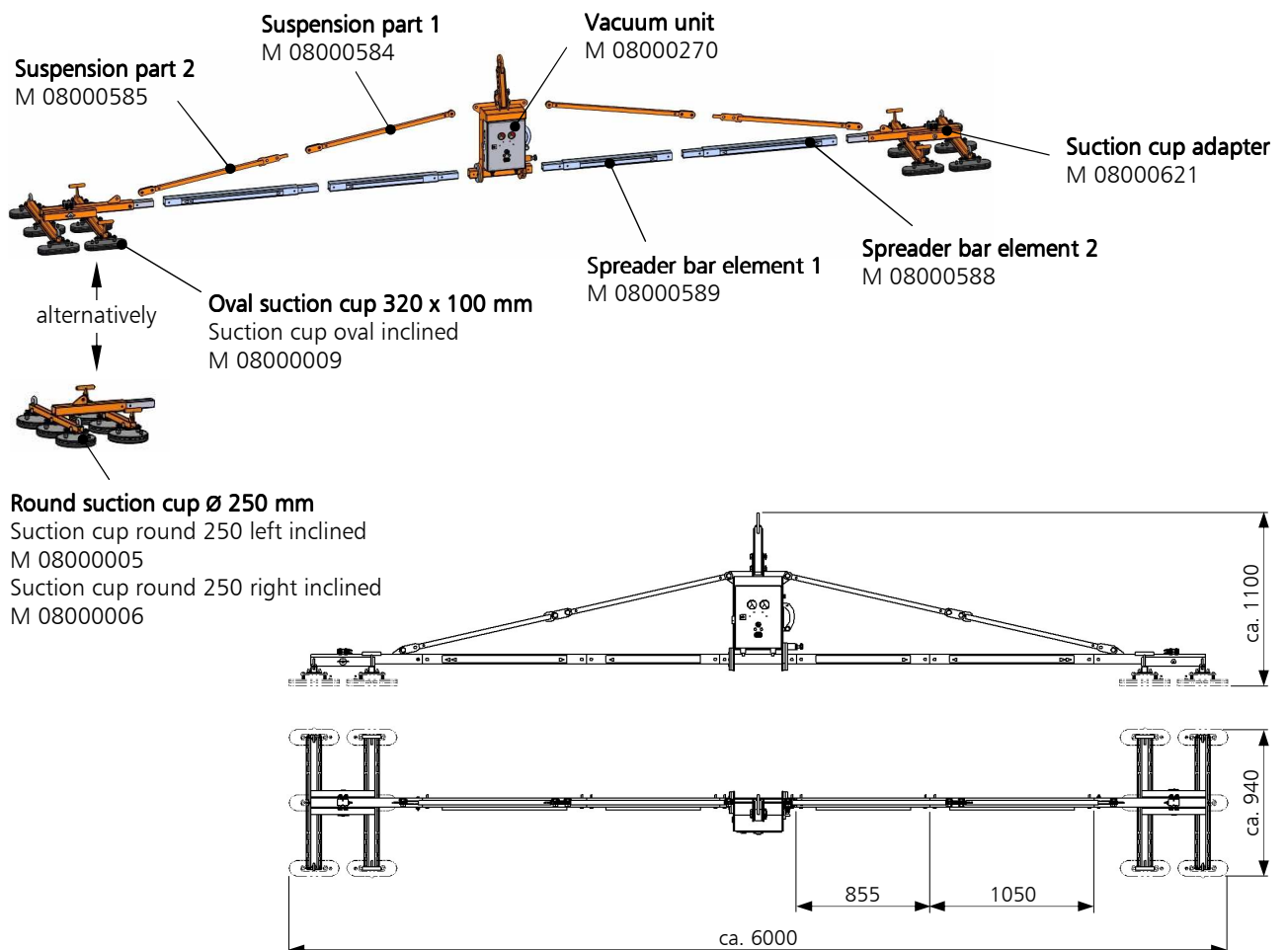


Roof installation (roofing)

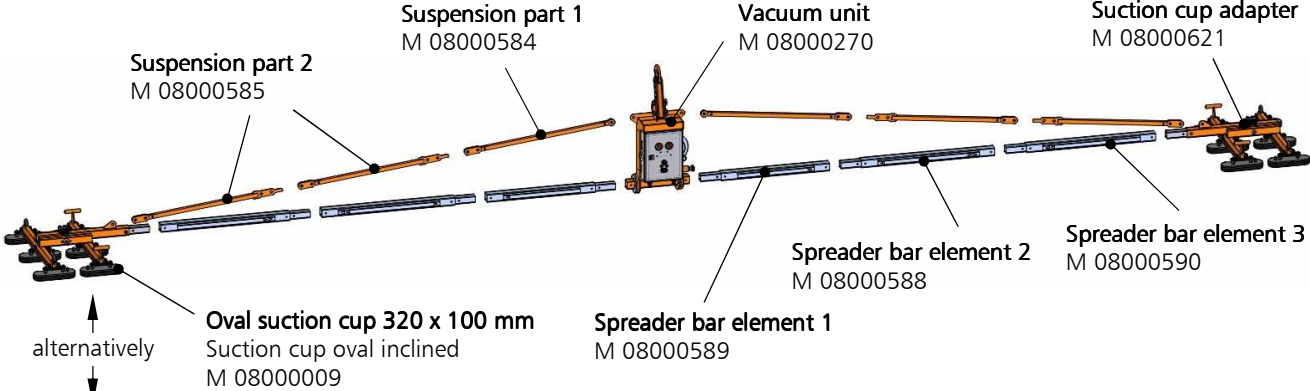
Length of the crossbeam approx. 3,90 m



Length of the crossbeam approx. 6 m



Length of the crossbeam approx. 8 m



Round suction cup Ø 250 mm
 Suction cup round 250 left inclined
 M 08000005
 Suction cup round 250 right inclined
 M 08000006

