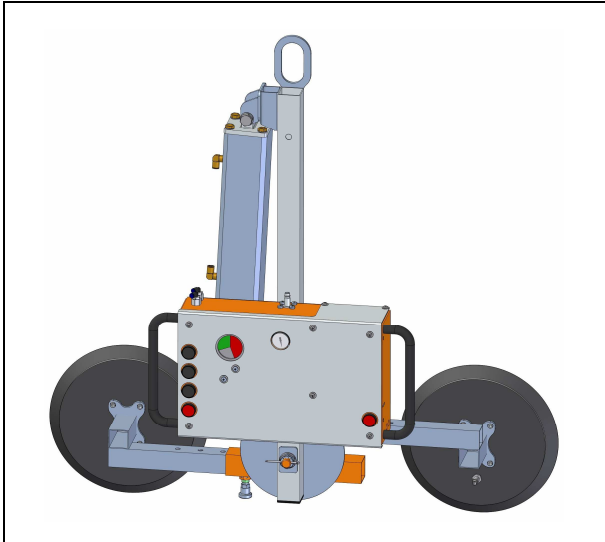


OKTOPUS[®] ERGO-Sprint 250 D A 600 S TA CA EZ

Handling device for the in-house use with pneumatically rotating function



1-circuit-system

For shop floor and production according to DIN EN 13155 + DIN EN 13035

Use

Handling on vertical glass storage racks and processing machines

Hoist

E.g. indoor crane, lightweight crane way system, slewing jib cranes

Suspension

Crane eye at the suction frame

Material to be handled

Flat glass or window elements

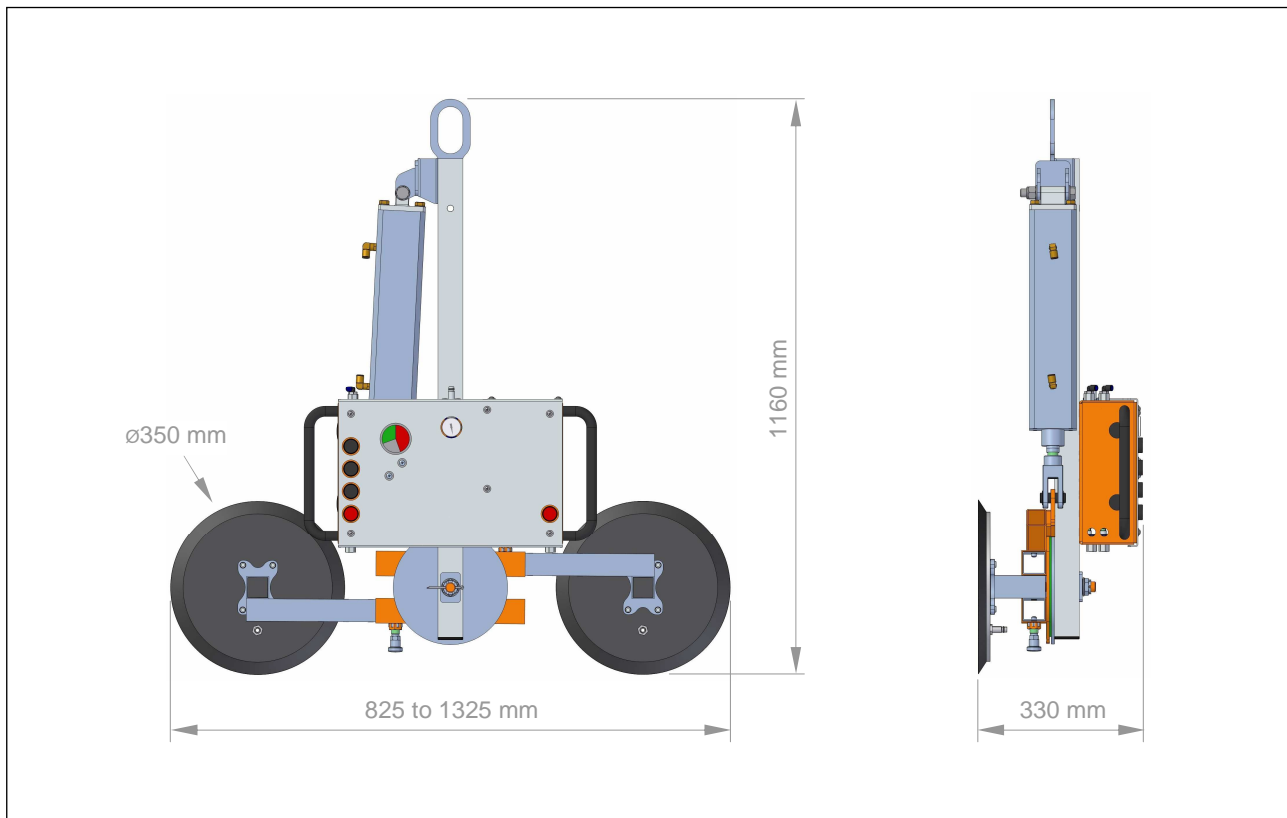
Verbal description

The vacuum based load lifting device OKTOPUS[®] ERGO-Sprint 250 D A 600 S TA CA EZ is suitable for the vertical handling of glass panes and window elements up to a weight of max. 250 kg within closed rooms. The device is equipped with a crane eye and provided to be attached into an existing hoisting device (supplied by the customer). The suction frame can be rotated by 90° with the help of the pneumatic cylinder. The ergonomically arranged operating and indicating elements facilitate a comfortable positioning and moving of the load. The central, according to the Venturi-principle working vacuum supply (ejector) ensures a high degree of safety. Optical and acoustical signalling devices inform about deviations from the nominal conditions. Even in the case of an air leak, the vacuum in each suction cup is ensured for more than five minutes for a confident removing of the load.



Application data

| | |
|----------------------------|--|
| Lifting/lowering: | by crane hook |
| Turning horizontal: | in the crane hook |
| Safe Working Load: | 250 kg |
| Suction frame: | |
| Rotating: | pneumatically, 0 - 90° |
| Tilting: | -- |
| Inclination: | -- |
| Swivelling: | -- |
| Turn over: | -- |
| Article no.: | M 08000660 |
| Suction cups: | 2 pcs. ø350 mm, extendable |
| Vacuum generation: | ejector (central) |
| Own weight: | approx. 40 kg |
| Power supply: | |
| Compressed air-connection: | 6 to 9 bar |
| consumption: | approx. 80 l/min |
| Connected- load: | not applicable |
| consumption: | not applicable |
| Colour: | RAL 2011 (Deep orange), RAL 9006 (White aluminium) |



Subject to change.